

INSTALLATION AND SAFETY INSTRUCTIONS

FOR YOUR SAFETY WARNING

BE SURE THE ELECTRICITY TO THE WIRES YOU ARE WORKING ON IS SHUT OFF; EITHER THE FUSE IS REMOVED OR THE CIRCUIT BREAKER IS SHUT OFF.

GENERAL

You don't need special tools to install this fixture. Be sure to follow the steps in the order given. Under no circumstances should a fixture be hung on house electrical wires, nor should a swag type fixture be installed on a ceiling, which contains a radiant type heating system. Read instructions carefully. If you are unclear as to how to proceed, consult a qualified electrician.

NOTE: Proper wiring is essential for the safe operation of this fixture.

FIXTURE ASSEMBLY

Carefully removed the fixture from the carton and check that all parts are included as shown in figure. Be careful not to misplace any of the screws or parts, which are needed to install this fixture.

INSTALLATION

IMPORTANT: Do not attach fixture directly to outlet box.

STEP 1 - Attach Fixture Loop Assembly to

Fixture Body

A. Thread Fixture Loop Assembly (I) onto . Hand tighten until snug.

STEP 2 - Attach Crossbar to Outlet Box

A. Secure the Crossbar (A) to the outlet box with outlet box screws (not supplied). Tighten until snug..

STEP 3 Attach Nipple to Crossbar -

A. Thread one Hex Nut (D) onto the top end of the Nipple (B).

B. Place one Lock Washer (C) over the top end of the Nipple (B) and then thread the Nipple (B) into the center lock hole of the Crossbar (A).

C. Using pliers, thread the hex Nut (D) against the Crossbar (A) and hand tighten until snug.

STEP 4 - Attach Canopy Chain Loop to Nipple

A. Thread another Hex Nut (D) onto the end of the Nipple (B).

B. Place the Lock Washer (C) over the end of the Nipple (B) and then thread the Canopy Chain Loop (E) onto the end of the Nipple (B).

C. Using pliers, thread the Hex Nut (D) against the Canopy Chain Loop (E) and hand tighten until snug.

STEP 5 Assemble Ceiling Canopy -

A. Push the Ceiling Canopy (H) upward over the Outlet

Box. Thread the Canopy Lock Ring (F) onto the Canopy Chain Loop (E) and tighten until snug to secure the Ceiling Canopy (H).

STEP 6 - Attach Fixture Chain to Canopy

Chain Loop and Fixture Loop

A. Adjust the Fixture Chain (G) to your desired length by removing the links if needed. You may need to use plier to open the chain links. If so, put a cloth over the chain to protect the finish from the pliers.

B. Attach one end of the Fixture Chain (G) onto the Canopy Chain Loop (E) with one Quick Link (L) and then attach the other end of the Fixture Chain (G) onto the Fixture Loop on the top of the fixture with another Quick Link (L).

STEP 7 Pass Supply Wires through Fixture Chain

A. Pull the Supply Wires and Ground Wire up through the Fixture Chain (G) alternating links. Push the wires up

through the Canopy Chain Loop (E) into the outlet box. You fixture is now assembled and ready to use.

STEP 8 Make Wire Connections

A. Un-thread the Canopy Lock Ring (F) and slide Canopy Lock Ring (F) and Ceiling Canopy (H) down the Fixture Chain (G)

B. Push all slack fixture wire through Canopy Chain Loop (E) into Outlet Box. Trim excess fixture wire leaving a minimum of 6 inch. Hanging out of the Outlet Box.

C. Use standard wire connectors (not included) to make all wire connections. (Connectors are not included with fixture.)

Twist connectors until wires are tightly joined together. Wrap each connection with approved electrical tape and carefully stuff all the connected wires into outlet box.

Note: If the electrical wire is going to be cut shorter than provided you will need to identify the "L" line wire and the "N" neutral wire before you cut the excess wire off. One is labeled N and the other labeled L. To do this separate the "L" line wire and the "N" neutral wire as far as you need to. Relabel the wire near where you want to make the cut. Be sure to mark the wire on the side of the fixture and not on the excess wire being cut and removed.

D. Re-attach the Ceiling Canopy (H) as shown in Step 5. attach the Ceiling Canopy (H) as shown in Step 5.

STEP 9 - Install Bulb

A. standard bulb with a candelabra screw base Maximum 6 watts.

B. Place the bulb from the bottom of the glass frame. Insert bulb and screw snugly into place.

Your fixture is now assembled and ready to use.

Enjoy!

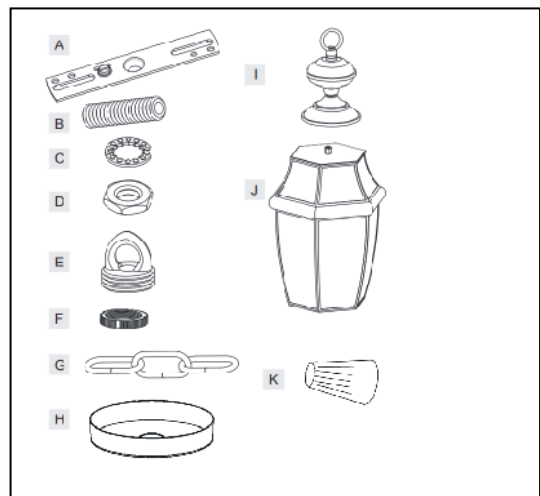
CLEANING

To clean, wipe fixture with a soft cloth. Clean glass with a mild soap.

Do not use abrasive materials such as scouring pads or powders, steel wool or abrasive paper.

ORDERING PARTS

Keep this sheet for future reference, and in case you need to order replacement parts. All parts for this fixture can be ordered from place of purchase. Be sure to use exact wording from illustration when ordering parts.



Line art shown may not exactly match the fixture enclosed. However, the installations do apply to this fixture.

ITEM NO: 580CHM / 580CHB